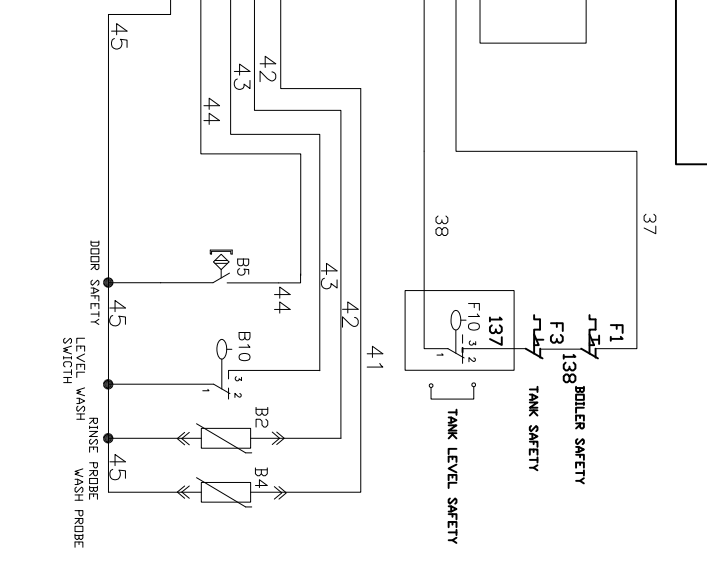
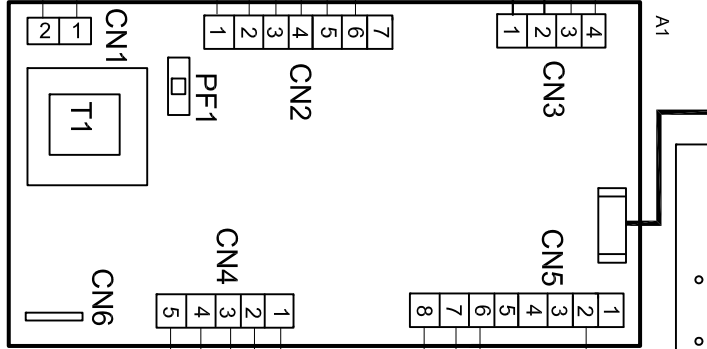
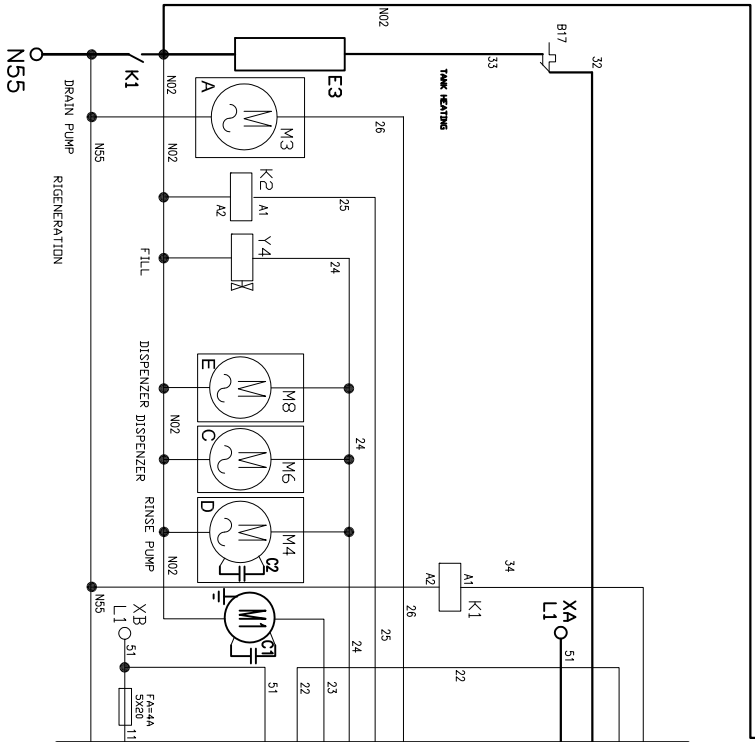
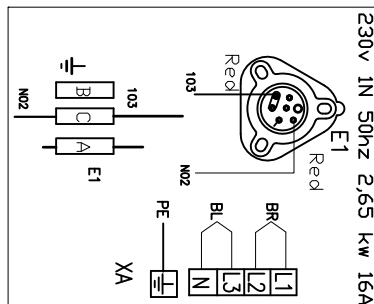
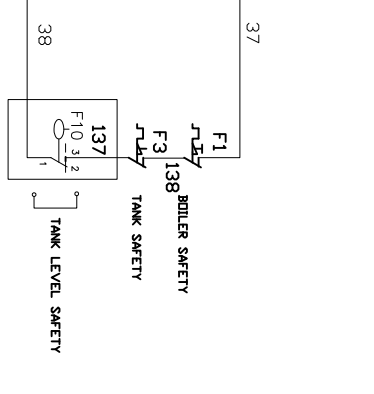
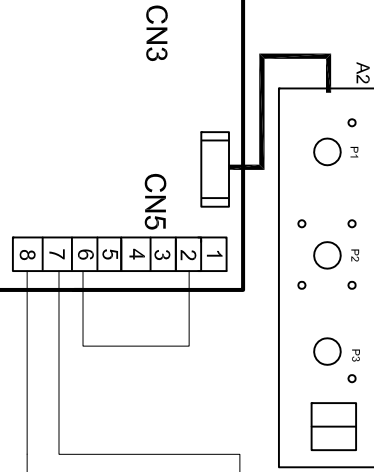
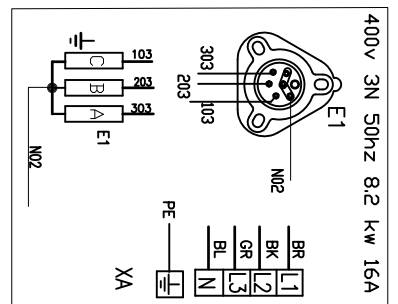
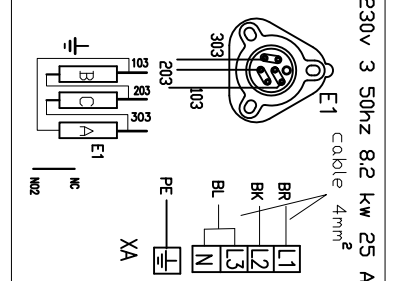
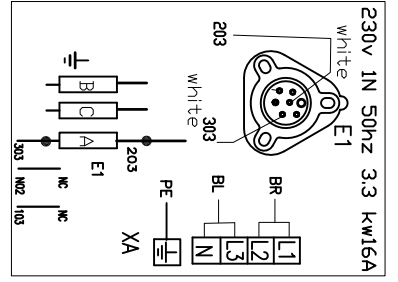
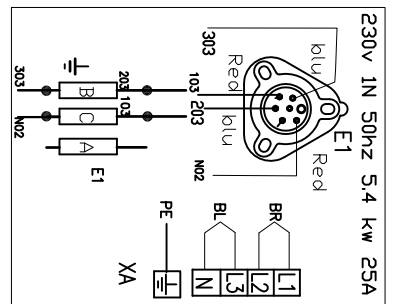
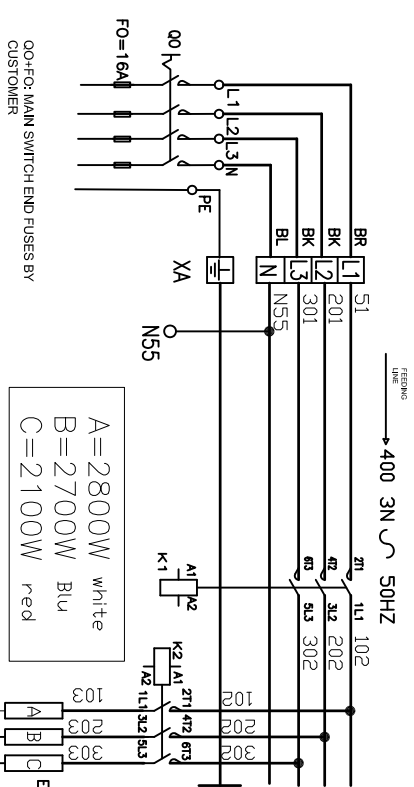


DESCRIZIONE	SOSTITUISC	DATA
-------------	------------	------

Re-examined	date	07/02/12	denominazione			Codice
Inspected by	date		WIRING DIAGRAM			81721
Validated by	date		Dishwashers			n°/file
			total Blatt	N° Blatt	Next Blatt	81721L
			3	2	-3	---



OPTION

A= DRAIN PUMP  
 B= REGENERATION  
 C= DETERGENT PUMP  
 D= RINSE PUMP  
 E= RINSE AID PUMP

DESCRIPTION		SUSSTITUISCE		DATA	
Code Machine		Re-examination		Date/Date	
Inspected by		date		Date/Date	
Validated by		date		Date/Date	
WIRING DIAGRAM		Dishwashers		Total Date	
Code		N° Date		Next Date	
81721		3		2	
n°/file		81721		-3	
mod		---		---	

