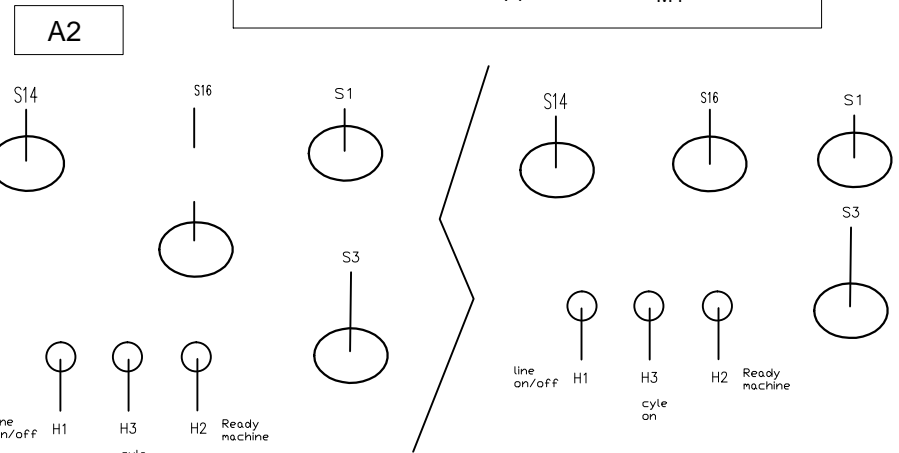
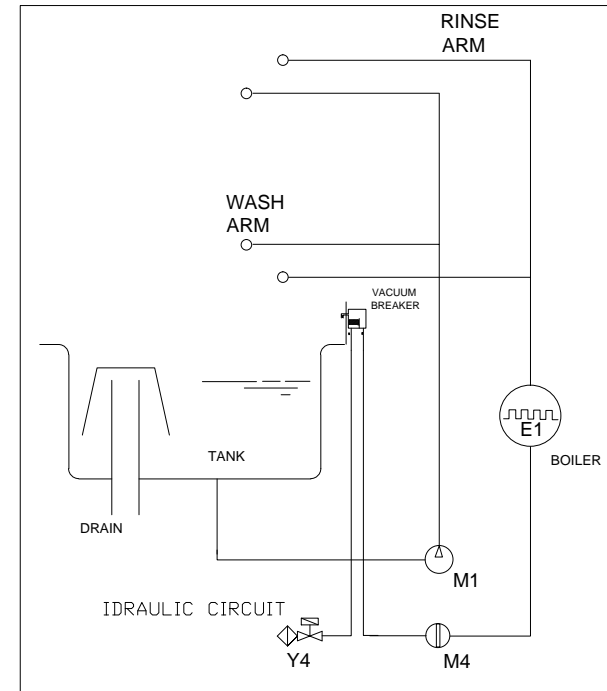
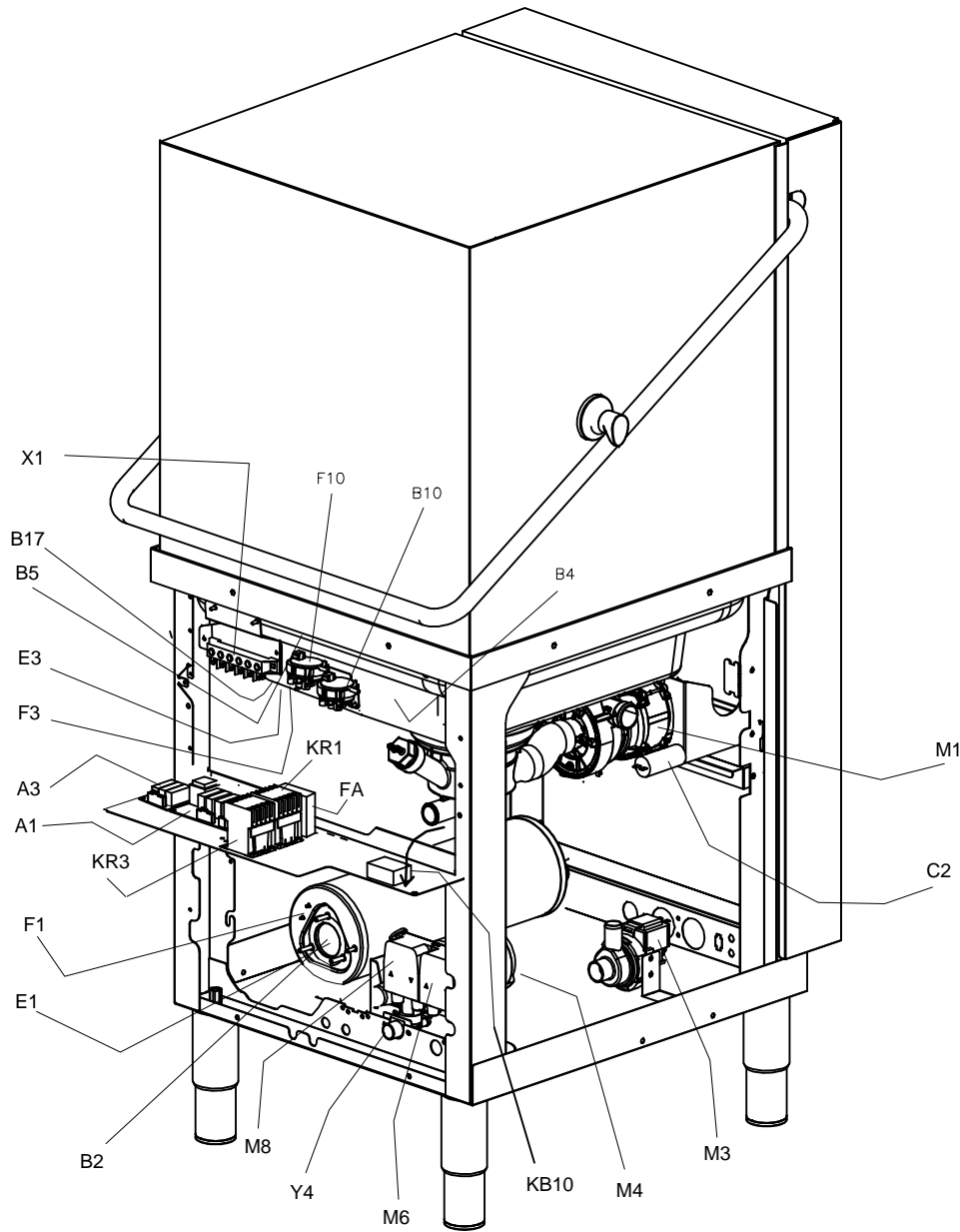


code Machine		denomination		Codice	
re-examined	date/date	WIRING DIAGRAM		81762	
inspected by	date				
validated by	date/date	Dishwashers		n°/file	mod
		total blat	N° blat	Next blat	
		3	2	-3	
				81726	--

DESCRIZIONE	Opzionale	A03	SOSTITUISCE	DATA
-3				
-2				



DESCRIZIONE	SOSTITUISCE	DATA

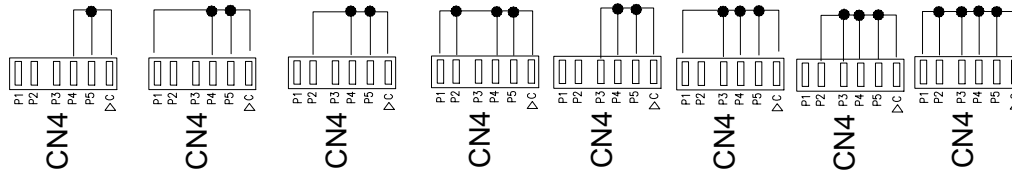
re-examined		denomination		Codice	
	date	WIRING DIAGRAM		81726	
	23/02/12				
inspected by		Dishwashers		n°/file	nod
	date	total blat	N° blat	81726	
		3	2	--	
		Next blat	-3		

A  
B  
C  
D  
E  
F  
G  
H

S14	PULSANTE DI LINEA MAIN SWITCH	INTERRUPTEUR DE LIGNE NETZSCHALTER		
B5	MICROINTERRUTTORE MAGNETICO MAGNETIC SAFETY MICROSWITCH	MICROINTERRUPTEUR MAGNETIQUE MAGNETISCHER SICHERHITSSCHALTER		
S1	INTERRUTTORE DI CICLO CYCLE SWITCH	INTERRUPTEUR DE DEMARRAGE WASCHVORGANGSSCHALTER		
S16	SELETORE CICLO CYCLE COMMUTATOR	SELECTEUR CYCLE WAHLSCHALTER FUER WASCHVORGANGSDAUER		
F1	TERMOSTATO SICUREZZA BOILER SAFETY BOOSTER HEATER THERMOSTAT	THERMOSTAT DE SICURITE DU BOYLER SICHERHEITZUNG		
F3	TERMOSTATO SICUREZZA VASCA SAFETY TANK HEATER THERMOSTAT	THERMOSTAT DE SICURITE CUVE SICHERHEITS- TANKTHERMOSTAT		
E3	RESISTENZA VASCA LAVAGGIO WASH TANK HEATING ELEMENT	RESISTANCE CUVE DE LAVAGE WASHTANKHEIZUNG		
E1	RESISTENZA BOILER BOOSTER HEATER HEATING ELEMENT	RESISTANCE BOYLER BOILERHEIZUNG		
M3	ELETTROPOMPA DI SCARICO DRAIN PUMP			
M4	ELETTROPOMPA AUMENTO PRESSIONE RINSE BOOSTER PUMP	ELECTROPOMPE AUGMENT PRESSION DRUCKSTEIGERUNGSPUMPE		
M6/M8	ELETTRODOSATORE DETERSIVO EL. DETERGENT INJECTOR	DOSEUR EL. DETERGENT SPUEL MITTELDOSIERGERAET		
M1	ELETTROPOMPA LAVAGGIO WASH ELECTRIC PUMP	ELECTROPOMPE LAVAGE ELEKTRISCHE UMAELZPUMPE		
H1 H2 H3	LAMPADE SPIE COMANDI LAMPS ON PANEL CONTROL			
KR1	TERLUTTORE SICUREZZA RESISTENZA BOILER SAFETY BOOSTER HEATER CONTACTOR	CONTACTEUR RESISTANCE BOYLER LUFTSCHUETZ F. BOILERHEIZUNG		
KR3	TERLUTTORE RESISTENZA BOILER BOOSTER HEATER CONTACTOR	CONTACTEUR RESISTANCE BOYLER LUFTSCHUETZ F. BOILERHEIZUNG		
KM2	RELE ELETTROPOMPA RISCICQUO AUSILIARIO AUXILIARY RINSE PUMP RELAY			
Y4	ELETTROVALVOLA RISCACQUO RINSE SOLENOID VALVE	ELECTROVANNE DE RINCAGE MAGNETVENT FUER NACHSPUELLUNG		
FA	FUSIBILE FEUSES			
B4	SONDA CONTROLLO VASCA PROBE TANK HEATER	THERMOSTAT RESISTANCE CUVE TANKHEIZUNG/THERMOSTAT		
B2	SONDA CONTROLLO BOILER BOOSTER HEATER THERMOSTAT	THERMOSTAT RESISTANCE BOYLER BOILERHEIZUNG		
B17	DOBPIO TERMOSTATO SICUREZZA DOUBLE SAFETY THERMOSTAT			
C1/2	CONDENSATORE CAPACITOUR			
B10	PRESSOSTATO LIVELLO VASCA TANK PRESSURE SWITCH	PRESSOSTAT NIVEAU AIRGAP TANKDRUCKSCHALTER-NIVEAUREGLER		
M10/M11	SCHEDA CONTROLLO ELECTRONIC CONTROL UNIT	FICHE DE CONTROLEELECTRONIQUE ELEKTRONISCHE BEDIENUNGSKARTE		
SIMB.	DESCRIZIONE DESCRIPTION	DESCRIPTION BESCHREIBUNG		

code Machine		denomination		Code	
re-examined	date	WIRING DIAGRAMM		81726	
	23/02/12				
inspected by	date	Dishwashers		n°/file	mod
validated by	date	total blatt	n° blatt	Next blatt	
		3	1	-2	81726   --

	DESCRIZIONE	SDSTITUISCE	DATA
-1	collegamento monofase	81456	15-09-09



	1	2	3	4	5	6	7	8	
<b>CN4/5</b>	0 = on 1 = off								
<b>CN4/4</b>	0/1								
<b>CN4/3</b>	0	0	0	0	1	1	1	1	
<b>CN4/2</b>	0	0	1	1	0	0	1	1	
<b>CN4/1</b>	0	1	0	1	0	1	0	1	
			3						
	off	off	off	off	off	off	off	on	h
<b>C°</b>	82	78	78	78	82	82	82	82	B
<b>C°</b>	60	55	60	60	60	60	60	60	T
<b>sec</b>	71	40	40	40	40	70	40	71	w1
<b>sec</b>	101	100	130	100	100	130	160	101	w2
<b>sec</b>	5	5	5	5	5	5	5	5	p
<b>sec</b>	14	15	15	15	15	15	15	14	R
<b>sec</b>	14	15	15	15	15	15	15	14	Dw
<b>sec</b>	120	120	120	120	120	120	120	120	Td
<b>min</b>	5	5	5	5	5	5	5	5	TT
<b>sec</b>	400	400	400	400	400	400	400	400	TI

90-120      60-120      60-150      60-120      60-120      90-150      60-180      90-120  
RC

re-examined		date	denomination			Codice	
		23/02/12	WIRING DIAGRAMM			81726	
inspected by		date	Dishwashers			n°/file mod	
						81726 --	
validated by		date	total blat	N° blat	Next blat		
			3	2	-3		

DESCRIZIONE

SOSTITUISCE

DATA