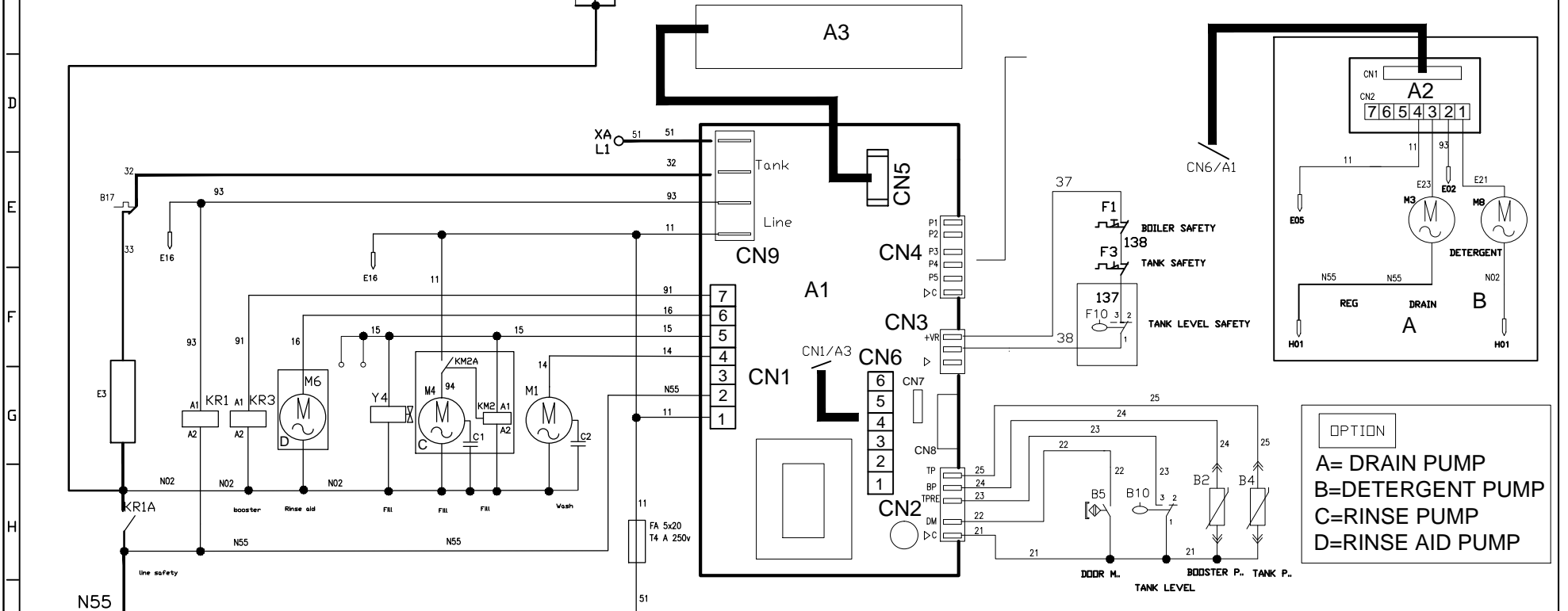
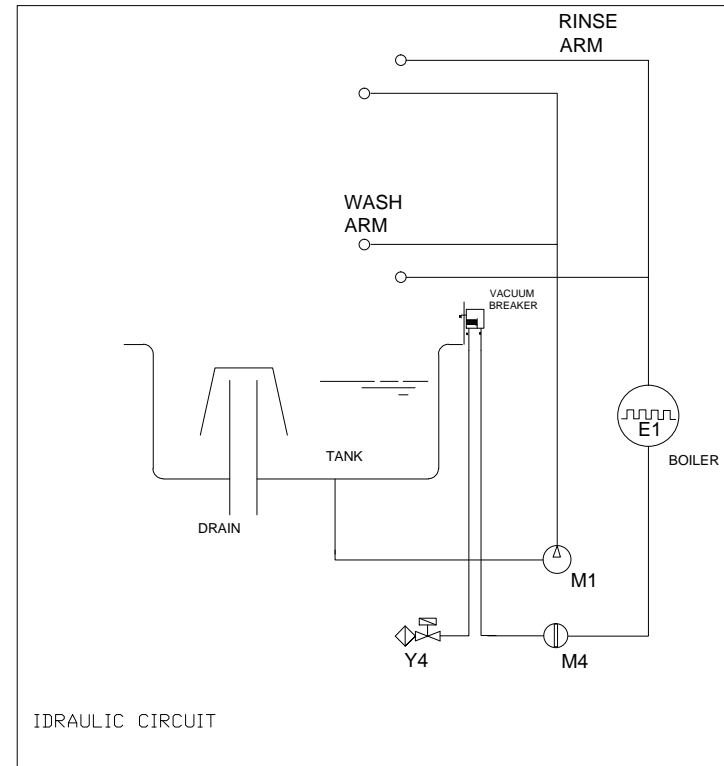
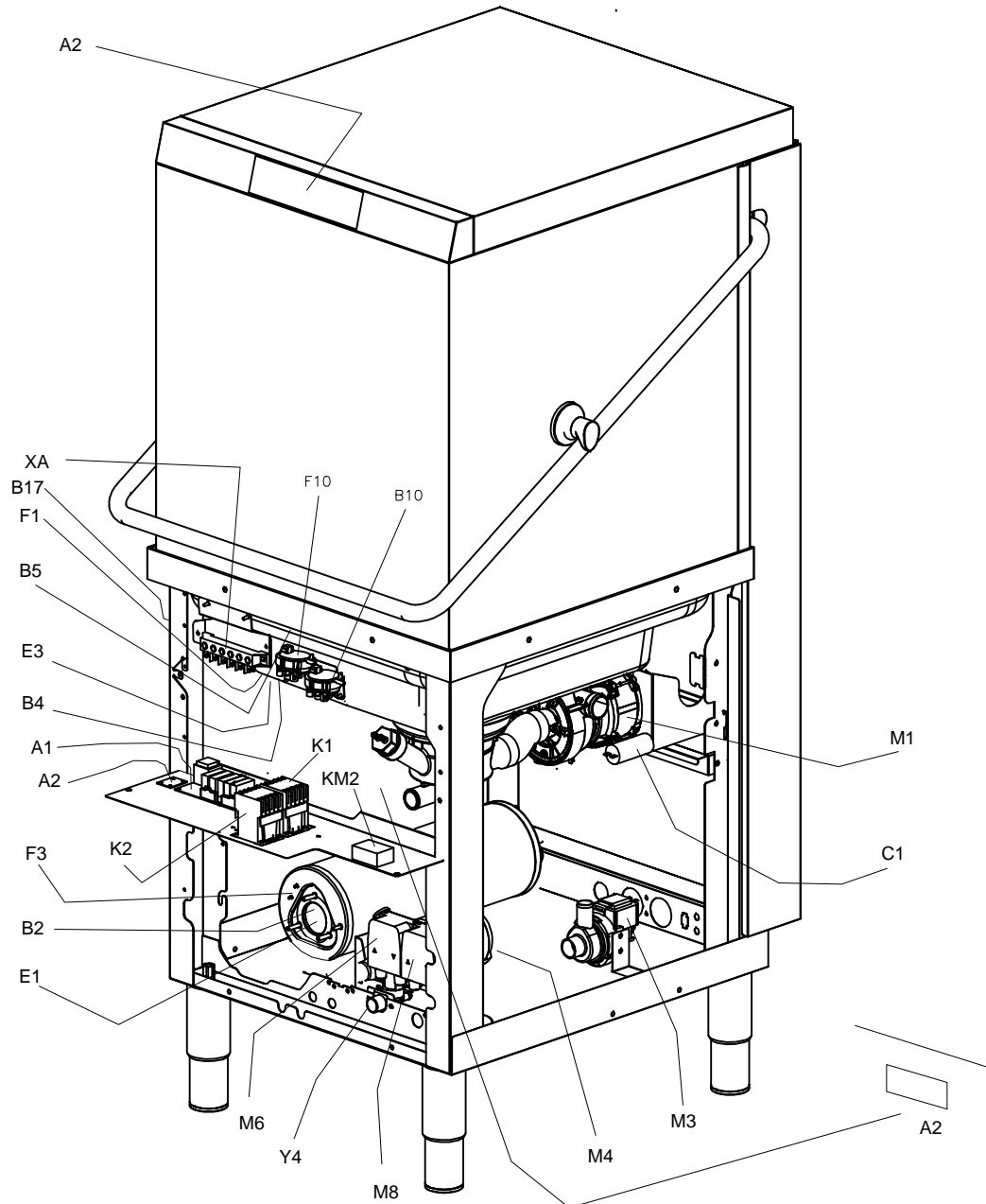


QO+FO: MAIN SWITCH END FUSES BY CUSTOMER



code Machine		denomination		Codice	
re-examined		date/date		WIRING DIAGRAM	
inspected by		date		Dishwashers	
validated by		date/date		total blatt 3 N° blatt 2 Next blatt -3	
				81762	
				81795	

DESCRIZIONE	A03	SOSTITUISCE	DATA
-3			
-2			



re-examined		date		denomination			Codice	
		07/02/12		WIRING DIAGRAM			81762	
inspected by		date		Dishwashers			n°/file	
							mod	
validated by		date		total blat	N° blat	Next blat	81795	
				3	2	-3	--	

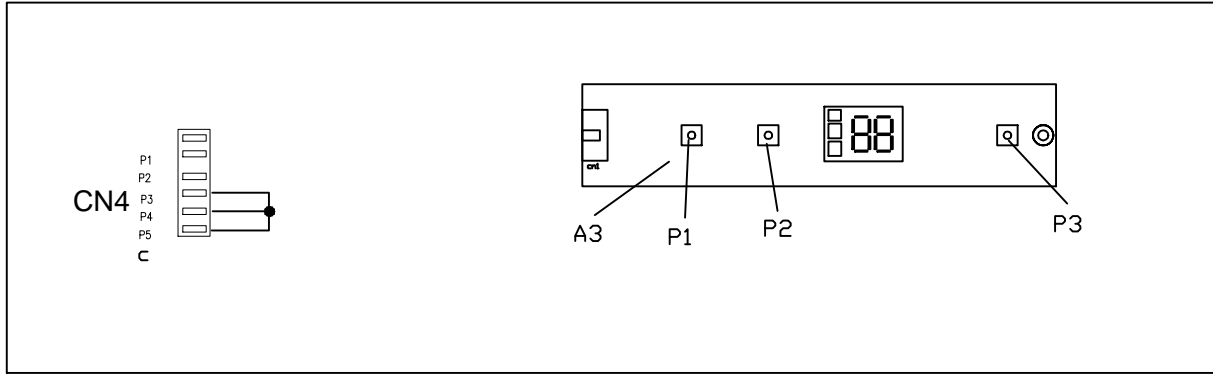
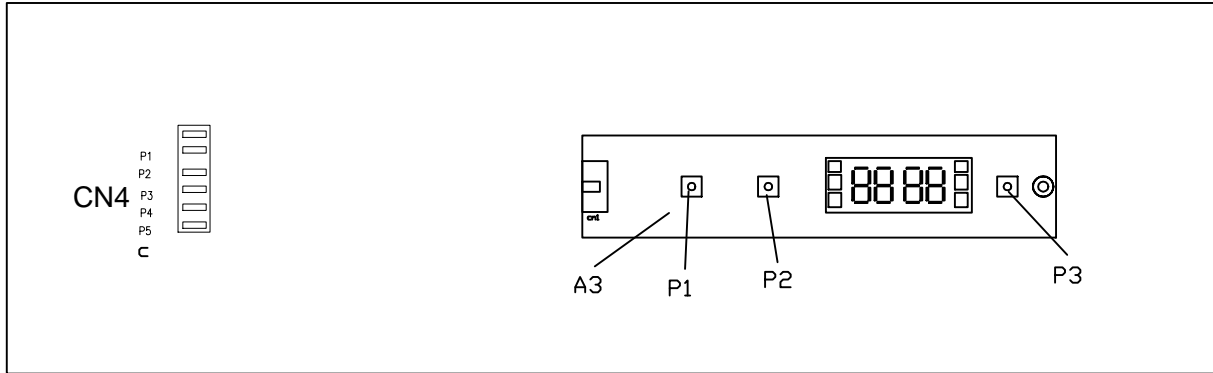
DESCRIZIONE	SOSTITUISCE	DATA

A  
B  
C  
D  
E  
F  
G  
H

P1	PULSANTE DI LINEA MAIN SWITCH	INTERRUPTEUR DE LIGNE NETZSCHALTER		
B5	MICROINTERRUTTORE MAGNETICO MAGNETIC SAFETY MICROSWITCH	MICROINTERRUPTEUR MAGNETIQUE MAGNETISCHER SICHERHITSSCHALTER		
P3	INTERRUTTORE DI CICLO CYCLE SWITCH	INTERRUPTEUR DE DEMARRAGE WASCHVORGANGSSCHALTER		
P2	SELETORE CICLO CYCLE COMMUTATOR	SELECTEUR CYCLE WAHLSCHALTER FUER WASCHVORGANGSDAUER		
F1	TERMOSTATO SICUREZZA BOILER SAFETY BOOSTER HEATER THERMOSTAT	THERMOSTAT DE SICURITE DU BOYLER SICHERHEITZUNG		
F3	TERMOSTATO SICUREZZA VASCA SAFETY TANK HEATER THERMOSTAT	THERMOSTAT DE SICURITE CUVE SICHERHEITS- TANKTHERMOSTAT		
E3	RESISTENZA VASCA LAVAGGIO WASH TANK HEATING ELEMENT	RESISTANCE CUVE DE LAVAGE WASCHTANKHEIZUNG		
E1	RESISTENZA BOILER BOOSTER HEATER HEATING ELEMENT	RESISTANCE BOYLER BOILERHEIZUNG		
M3	ELETTROPOMPA DI SCARICO DRAIN PUMP			
M4	ELETTROPOMPA AUMENTO PRESSIONE RINSE BOOSTER PUMP	ELECTROPOMPE AUGMENT PRESSION DRUCKSTEIGERUNGSPUMPE		
M6/M8	ELETTRODOSATORE DETERSIVO EL. DETERGENT INJECTOR	DOSEUR EL. DETERGENT SPUEL MITTLEDOSIERGERAET		
M1	ELETTROPOMPA LAVAGGIO WASH ELECTRIC PUMP	ELECTROPOMPE LAVAGE ELEKTRISCHE UMAELZPUMPE		
KR1	TELERUTTORE SICUREZZA RESISTENZA BOILER SAFETY BOOSTER HEATER CONTACTOR	CONTACTEUR RESISTANCE BOYLER LUFTSCHUETZ F. BOILERHEIZUNG		
KR3	TELERUTTORE RESISTENZA BOILER BOOSTER HEATER CONTACTOR	CONTACTEUR RESISTANCE BOYLER LUFTSCHUETZ F. BOILERHEIZUNG		
M2	RELE" ELETTROPOMPA RISCICQUO AUSILIARIO AUXILIARY RINSE PUMP RELAY			
Y4	ELETTROVALVOLA RISCACQUO RINSE SOLENOID VALVE	ELECTROVANNE DE RINCAGE MAGNETVENT FUER NACHSPUELUNG		
FA	FUSIBILE FEUSES			
B4	SONDA CONTROLLO VASCA PROBE TANK HEATER	THERMOSTAT RESISTANCE CUVE TANKHEIZUNG/THERMOSTAT		
B2	SONDA CONTROLLO BOILER BOOSTER HEATER THERMOSTAT	THERMOSTAT RESISTANCE BOYLER BOILERHEIZUNG		
B17	DOPPIO TERMOSTATO SICUREZZA DOUBLE SAFETY THERMOSTAT			
C1/2	CONDENSATORE CAPACITOUR			
B10	PRESSOSTATO LIVELLO VASCA TANK PRESSURE SWITCH	PRESSOSTAT NIVEAU AIRGAP TANKDRUCKSCHALTER-NIVEAUREGLER		
M/2	SCHEDA CONTROLLO ELECTRONIC CONTROL UNIT	FICHE DE CONTROLEELECTRONIQUE ELEKTRONISCHE BEDIENUNGSKARTE		
SIMB.	DESCRIZIONE DESCRIPTION	DESCRIPTION BESCHREIBUNG		

code Machine		Denomination <b>WIRING DIAGRAMM</b>	Code <b>81762</b>	
re-examined	date 07/02/12			
inspected by	date	Dishwashers	n°/file	mod
validated by	date		total blatt 3	N° blatt 1
			<b>81795</b>	--

DESCRIZIONE	SOSTITUISCE	DATA



code Machine		denomination		Codice	
re-examined	date/date	WIRING DIAGRAMM		81749	
inspected by	date	Dishwashers		n°/file	mod
validated by	date/date	total blat	N° blat	Next blat	81795
		3	2	-3	